

## HBA—YSDD系列电流变送器

### (HBA-YSDD Current Transducer Series)

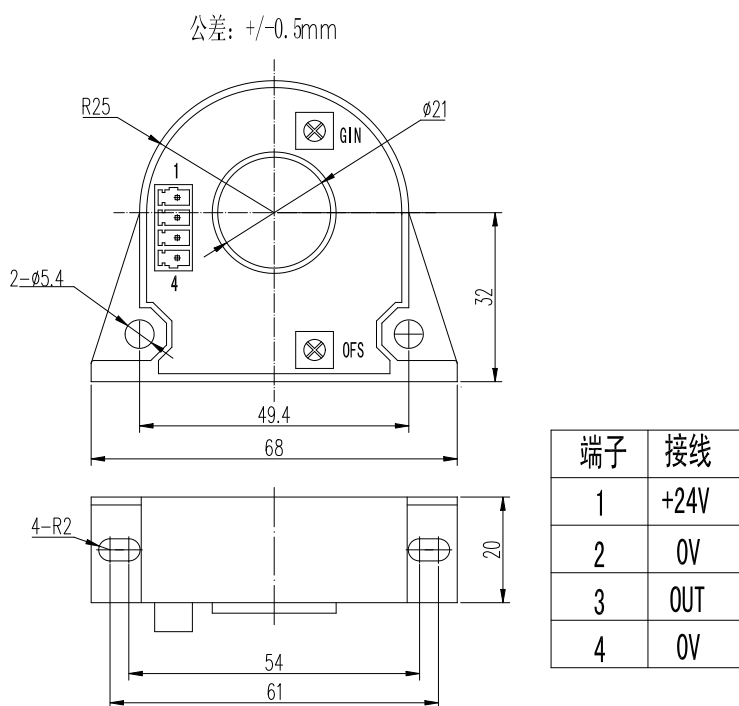
HBA-YSDD 系列电流变送器的初、次级之间是绝缘的，可用于测量直流电流。

(HBA-YSDD Series Current transducer between primary and secondary is insulated, can be used for the measurement of DC current)

电气参数 (Electrical characteristics)						
	型号 Type	HBA10-YSDD	HBA30-YSDD	HBA50-YSDD	HBA75-YSDD	
I <sub>pn</sub>	额定输入电流 (DC) Rated input	10	30	50	75	A
I <sub>pm</sub>	测量电流范围 (DC) Measuring range	12	36	60	100	A
R <sub>m</sub>	测量电阻 Measuring resistance	0~400				Ω
I <sub>out</sub>	输出电流 Rated output current	4~20				mA
I <sub>o</sub>	零电流失调 Zero offset current	$<4 \pm 0.1$				mA
V <sub>c</sub>	供电电压 Supply voltage	$+24 \pm 5\%$				V
I <sub>c</sub>	静态功耗 Current consumption	$\leq 25 + I_{out}$				mA
I <sub>ot</sub>	零点温漂 Thermal drift of I <sub>o</sub>	$\leq \pm 0.05$				mA/°C
F	带宽 Frequency bandwidth(-3 dB)	DC				Hz
ε <sub>G</sub>	精度 Accuracy	0.5				%
ε <sub>L</sub>	线性度 Linearity	0.5				%
Tr	响应时间	$\leq 200$				mS

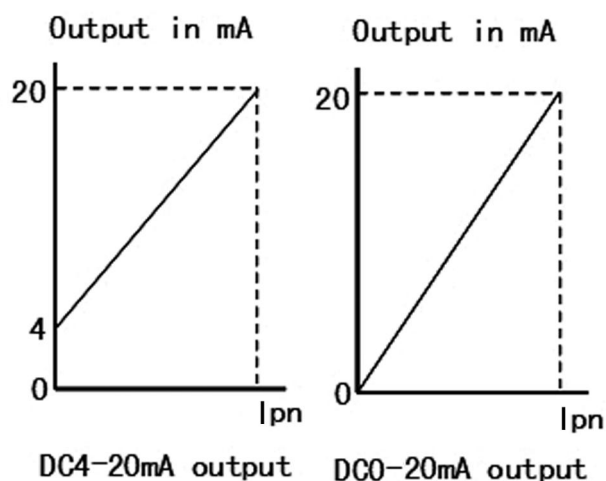
	Response time		
Vd	绝缘电压 Insulation voltage	2.5	KV
Ta	工作温度 Ambient operating temperature	-40~+85	°C
Ts	储存温度 Ambient storage temperature	-40~+125	°C
M	重量 mass	90	g
	标准 Standards	EN50178\IEC61010-1\UL94-Vo\ROHS	

### 机械参数 Dimensions (mm)



端子标准: 3.52mm, 3pin 插接式连接器

## 线性关系 (Linear)



## 使用说明 Remarks

- 1、应用：通讯电源、不间断电源UPS、斩波器、电化学、整流、电源监测、电焊机、变频、开关电源、电池监测、电动机监测等领域。Application: communication power supply, uninterruptible power supply UPS chopper, electrochemical, rectifier, power monitoring, welding machines, inverter, switching power supply, battery monitoring, motor monitoring fields.
- 2、传感器的输出幅度可根据用户需要进行适当调节。The amplitude of the output of the sensor can be appropriately adjusted according to user needs.
- 3、可按用户需求定制不同额定输入电流和输出电压的传感器。Custom different rated input current and the output voltage of the sensor.
- 4、当待测电流从变送器穿过，即可在输出端测得电流大小。（注意：错误的接线可能导致变送器损坏）When the current to be measured is across from the transmitter can be measured at the output current size. (Note: incorrect wiring may cause transmitter damage)